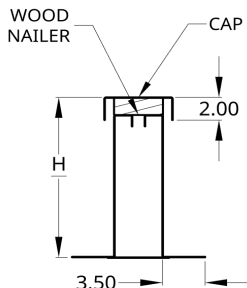
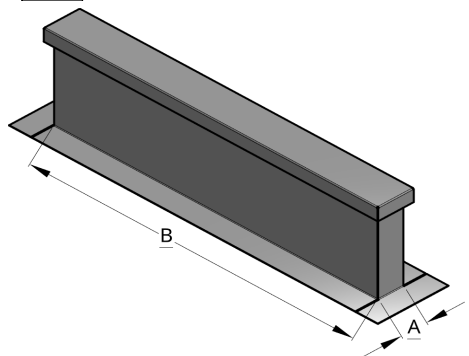


Equipment Support



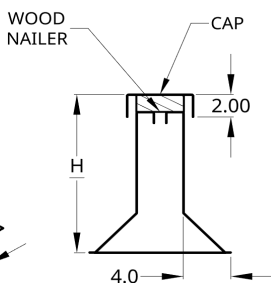
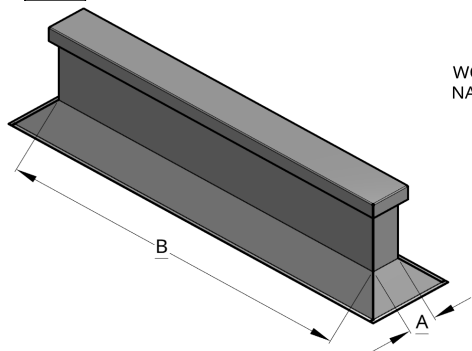
EQ STAND
TYPE #

1 SELF FLASHING EQUIPMENT SUPPORT



EQ STAND
TYPE #

2 CANT EQUIPMENT SUPPORT

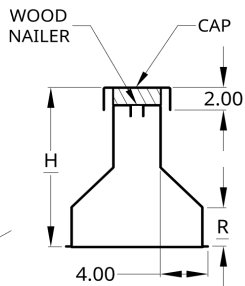
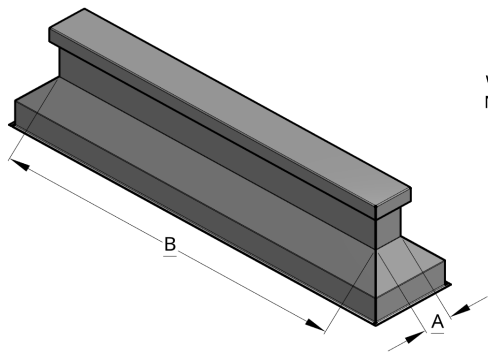


Standard Features:

- 18 GA Gal Body
- 1.5" Top Rail
- 18 Ga Gal Cap
- Curb Cap 1.5" (larger than EQ STAND OD)
- Wood Nailer
- Continuous Welded Seam
- Braced 24" O.C.
- Minimum OD "A" is 4"

EQ STAND
TYPE #

3 RAISED CANT EQUIPMENT SUPPORT



Optional Features:

- 16 Ga. Gal Body
- 14 Ga Gal Body
- 0.063" Aluminum Body
- 18 Ga. 304 Stainless Steel Body
- 18 Ga 304 Stainless Steel Cap, Cont. Weld
- Equipment Stand Cap = _____ (larger than EQ Stand OD)

Equipment Stand Dimensions:

| EQ Stand Type # | Qty | OD "A" | OD "B" | H | R | Notes |
|-----------------|-----|--------|--------|---|---|-------|
| | | | | | | |
| | | | | | | |
| | | | | | | |
| | | | | | | |

Legend: OD - Outside Dimension, H - Height, R- Raised Height

Approve all dimensions above are correct: _____